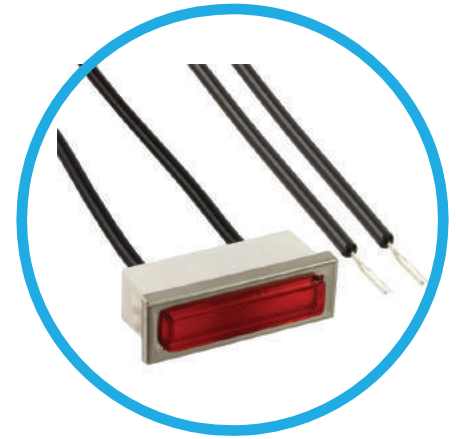




2330D and 2332D Series Non-Relampable Neon Panel Mount Indicator



Snapfit Rectangular Neon Wired Indicator Lights
For 0.400" x 1.280" mounting hole

Specifications

Mounting: Will snap-fit into cut-out 0.400" x 1.280" and will mount in .032" - .100" thick panel

Wire Leads: No. 22 AWG (105°C) 4.40"/4.80" long, stripped .430"/.570"

Lens: Polycarbonate

Anode(+): Red lead

Bezel: Stainless steel.

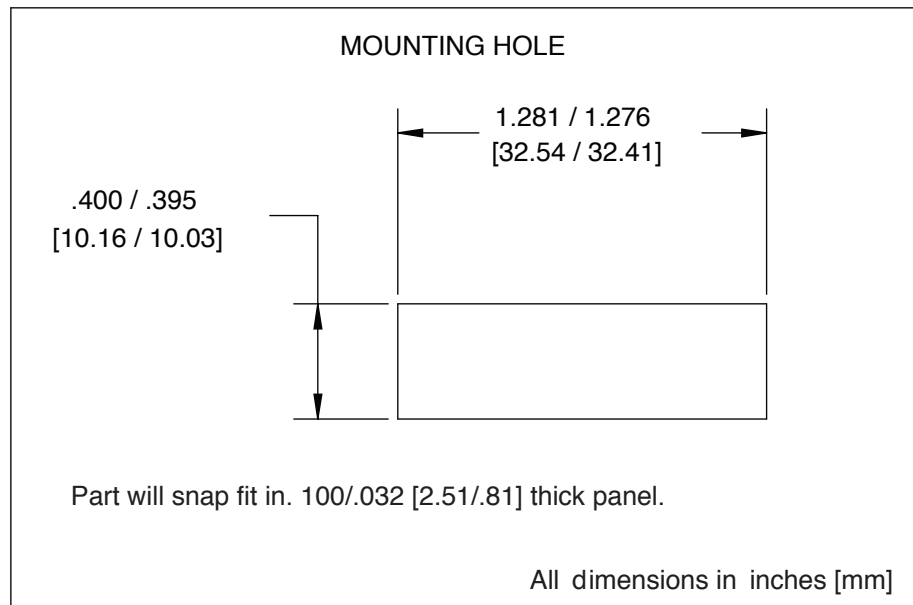
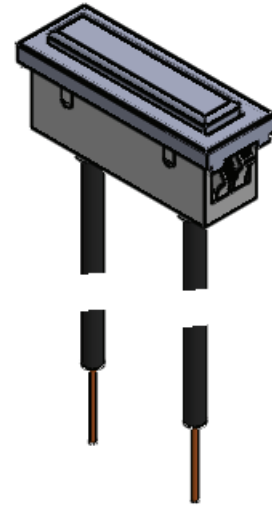
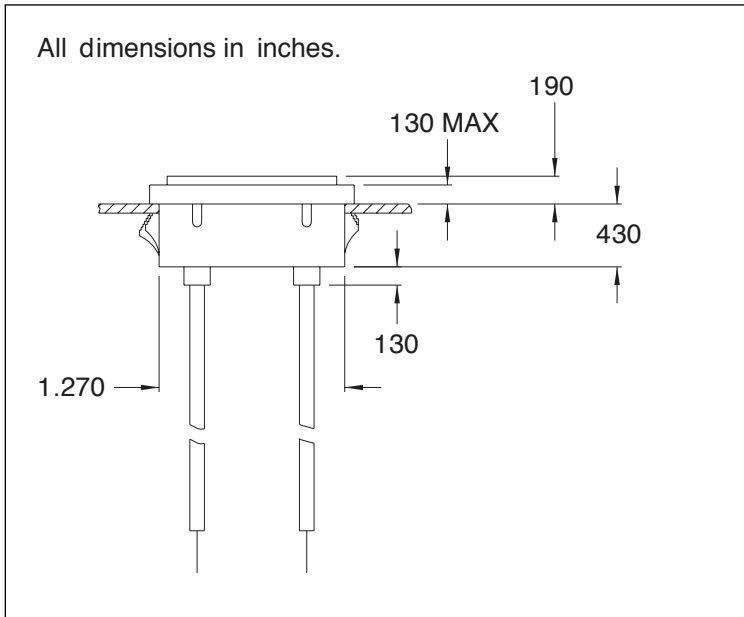
Underwriters Laboratories (UL) File No. E20356

Ordering Information

| Lens Color | Model No. (105-125 VAC) | Lamp used |
|------------|----------------------------|---------------------|
| Red | 2330D1 | LT2-32-1 + Resistor |
| Green | 2332D5 | G2B + Resistor |

| Lamp | Maximum Breakdown Voltage | | | Design Current mA | Life Avg. Hours | Typ. R Ohms | Pre-Aged | Bulb Length Max. In. | Base |
|----------|---------------------------|-----|---------------|----------------------|--------------------|----------------|----------|--------------------------------|---------|
| | VAC | VDC | Exting. Volts | | | | | | |
| G2B | N/A | 135 | N/A | 2.6 | 25,000 | N/A | No | 1 ¹ / ₁₆ | 1" Wire |
| LT2-32-1 | 95 | 135 | N/A | 1.4 | N/A | N/A | N/A | N/A | N/A |

Dimensions



Compliances and Approvals

